



HDMI Switcher

User Manual

Model : HS04-4K6G

4K 60Hz 4 x 1 HDMI Switcher



Introduction

HS04-4K6G is a 4 input HDMI automatic switcher that supports superior resolution up to 4K@60Hz 4:4:4. Besides, the auto-scan function allows the switcher to switch to an available or last connected HDMI source automatically.

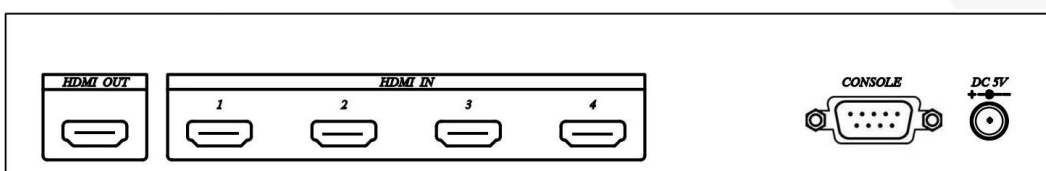
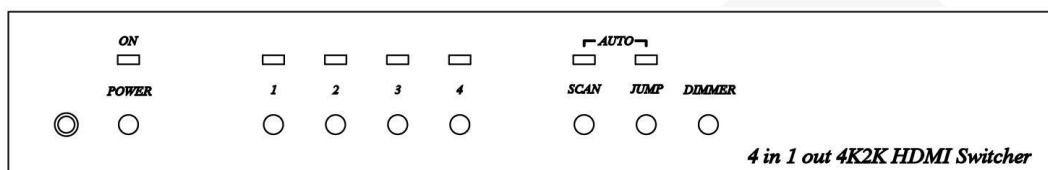
It is a perfect solution for home theaters, security rooms, and so on —no more hassles plug-ins for multiple HDMI devices.

Features

- Resolution up to 4K@60hz 4:4:4.
- Built in RS232 console port for remote control or firmware update.
- Supports auto-scan function, automatically switch to the next available input when the selected one is unable to display.
- Supports auto switching function, automatically switch to the last connected input source.
- Managed via front panel buttons, IR remote, RS232.

Panel View

HS04-4K6G



IR Remote Control Setting

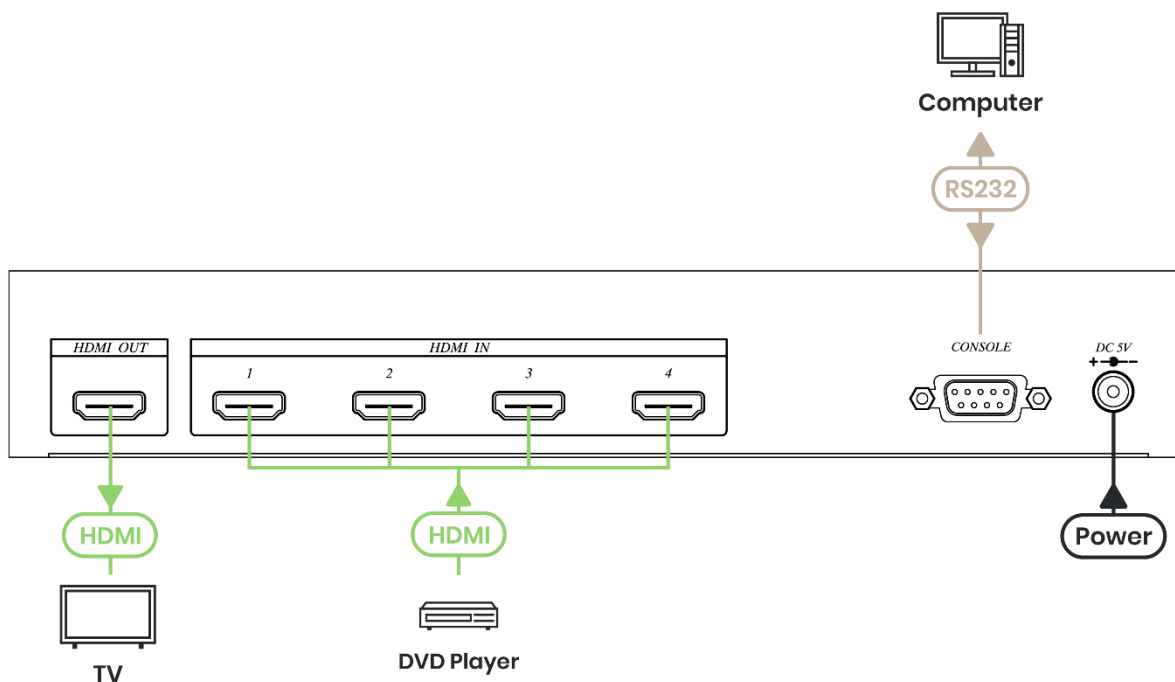
This device could use IR remote control for function setting and control, The ID number must be setup before using IR remote control or change new batteries.

Setup IR remote ID number

Press and hold "Power Symbol" button and press number 0.

Installation View

HS04-4K6G



LED Indication

Power	ON/OFF	System activate/ standby.
	FLASH	Panel button or IR remote control disabled by remote PC.
AUTO SCAN	ON/OFF	Auto scan function activated/disabled.
AUTO JUMP	ON/OFF	Auto jump function activated/disabled.
1, 2, 3, 4	ON	Currently selected input signal channel.
	FLASH	No signal input.

Panel Button Function

Power	System activate/ standby.
AUTO SCAN	Auto scan function activated/disabled.
AUTO JUMP	Auto jump function activated/disabled.
DIMMER	LED brightness adjustment.
1, 2, 3, 4	Currently select input signal channel and disable auto scan function.

Remote Control Operating A, B Mode Switching

There are two remote control operating modes: When this device power on, you could switch A, B mode by pressing the panel “power” button and remote control “*” button together.

Mode A operating mode: It come with auto scan & auto jump functions.

Mode B operating mode: When auto scan & auto jump functions no need to use, which only need single button for quick operation on AV switch.

Factory default is set to (Mode A).

IR remote control Mode A Operating

⏻ Power symbol	System activate/standby.
▲	Select next available input and activates auto scan function.
▼	Select previous available input and activates auto scan function.
◀	Select previous input and disable auto scan function.
▶	Select next input and disable auto scan function.
1、2、3、4 (5、6、7)	Currently select input and disable auto scan function.
0	Auto jump function activated/disabled.
#	LED brightness adjustment.
MENU、ENTER、*、(5、6、7)、8、9	Reserved (no function).

IR remote control Mode B Operating

⏻ Power symbol	System activate/standby.
▲	Select next input and system activate.
▼	Select previous input and system activate.
◀	Select previous input and system activate.
▶	Select next input and system activate.
1、2、3、4 (5、6、7)	Currently select input and system activate.
#	LED brightness adjustment.
MENU、ENTER、*、(5、6、7)、8、9、0	Reserved (no function).

Auto Scan Function

Under auto scan operation, if the selected input video signal disappears over 0.5 second, it would automatically select the previous or next input with video signal.

Auto Jump Function

Under auto jump operation, if there is a new video signal input, it will automatically switch to a new video signal input.

LED brightness setting

LED brightness could be set up as the following 4 levels

1. Minimum Brightness
2. Normal Brightness
3. Maximum Brightness
4. Brightness auto change

Factory default is set to level 3.

Under Brightness auto change mode, press any button or IR remote control, or video signal changed (video signal disappears or show up), LED status will show the maximum brightness up to 5 seconds then back to the minimum brightness.

Computer Remote Control Function

This RS-232 terminal could be connected with computer, to use terminal program for remote control operation, the communication format is 9600, 8, N, 1 (9600 Bps, 1 start bits, 8 data bits, 1 stop bit).

Under remote control operation, if it shows 「COMMAND」, then it is “under command mode”. It could easily be operated and set by entering the following commands in the chart.

Press「Enter」: if it shows 「OK!」 then the previous command is completed; showing 「ERROR!」 indicates the previous command is incorrect.

Command Mode Instruction

[COMMAND]	[DESCRIPTION]
n	Currently select input and disable auto scan.
PRE	Select previous available input and activates auto scan.
NEXT	Select next available input and activates auto scan.
SCAN y	Auto scan function activated/disabled.
JUMP y	Auto jump function activated/disabled.
ACTIVATE	System activate.
STANDBY	System standby.
MODE x	Select operation mode A/B.

IR y	IR remote button lock/unlock.
KEY y	Panel button lock/unlock.
LED n	LED brightness adjustment.
SAVE	Save setting.
LOAD	Load setting.
KEYPAD	Keypad mode operation.
SIGNAL	Display input signal status.
STATUS	Display setting.
VERSION	Display firmware version.
?	Show all commands.

[SYMBOL]	[PARAMETER]
n	1 2 3 4
x	A B
y	ON OFF

Space characters between the command and parameters can be ignored.

Virtual Remote Control Mode

- Showing 「KEYPAD :」 when it is under virtual remote control mode, which you could enter the following commands at the terminal to simulate the IR remote control operation.
- After press command if it shows 「OK!」 then the previous command is executed; showing 「ERROR!」 indicates the previous command is incorrect.

System Activate Virtual Remote Control Mode A/B Operate description

- MODE A :

[COMMAND]	[DESCRIPTION]
1 2 3 4	Currently select input and disable auto scan.
-	Select previous available input and activates auto scan.
+	Select next available input and activates auto scan.
L	Select previous input and disable auto scan.
R	Select next input and disable auto scan.
0	Auto jump function activated/disabled.
/	System activate/standby.
.	LED brightness adjustment.
Q	Command mode operation.
S	Display setting and input signal status.
?	Show all commands.

- MODE B :

[COMMAND]	[DESCRIPTION]
1 2 3 4	Currently select input.
-	Select previous input.
+	Select next input.
L	Select previous input.
R	Select next input.
/	System activate/standby.
.	LED brightness adjustment.
Q	Command mode operation.
S	Display setting and input signal status.
?	Show all commands.

System Standby Virtual Remote Control Mode A/B Operate description

- MODE A :

[COMMAND]	[DESCRIPTION]
/	System activate/standby.
Q	Command mode operation.
S	Display setting and input signal status.
?	Show all commands.

- MODE B :

[COMMAND]	[DESCRIPTION]
1 2 3 4	Currently select input and system activate.
-	Select previous input and system activate.
+	Select next input and system activate.
L	Select previous input and system activate.
R	Select next input and system activate.
/	System activate/standby.
Q	Command mode operation.
S	Display setting and input signal status.
?	Show all commands.

Remark

There are some DVD equipment still have +5V signal output under power off status, it will cause auto jump and auto scan function abnormal, please disable auto jump and auto scan function to avoid any abnormal operation.

Package Include

HS04-4K6G Switcher x 1 pcs
 IR remote control x 1 pcs
 Mounting Screw pack x 1 bags
 Power Adapter x 1 pcs

Specification

ITEM NO.	HS04-4K6G
Support	
Compliance	HDM 2.0, HDCP 1.4/ 2.2, 3D
Max. HDMI Resolution	4K@60Hz 4:4:4 12bits
Video Bandwidth	18 Gbps
RS232 Baud Rate	9600 bps
IR Support	38Khz , ±45°, 5M
Ports & Interfaces	
Video Input	4 x HDMI Type A
Video Output	1 x HDMI Type A
RS232 Interface (Console)	1 x DB9 Female
Power	
Power Supply	DC 5V 1A
Power Consumption	370mA
Ambient Temperature	
Operation	0 to 55°C
Storage	-20 to 85°C
Humidity	Up to 95%
Physical Characteristics	
Dimensions	253 x 143 x 40mm
Weight	800g